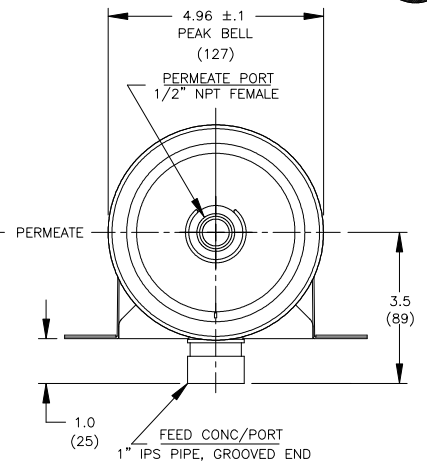
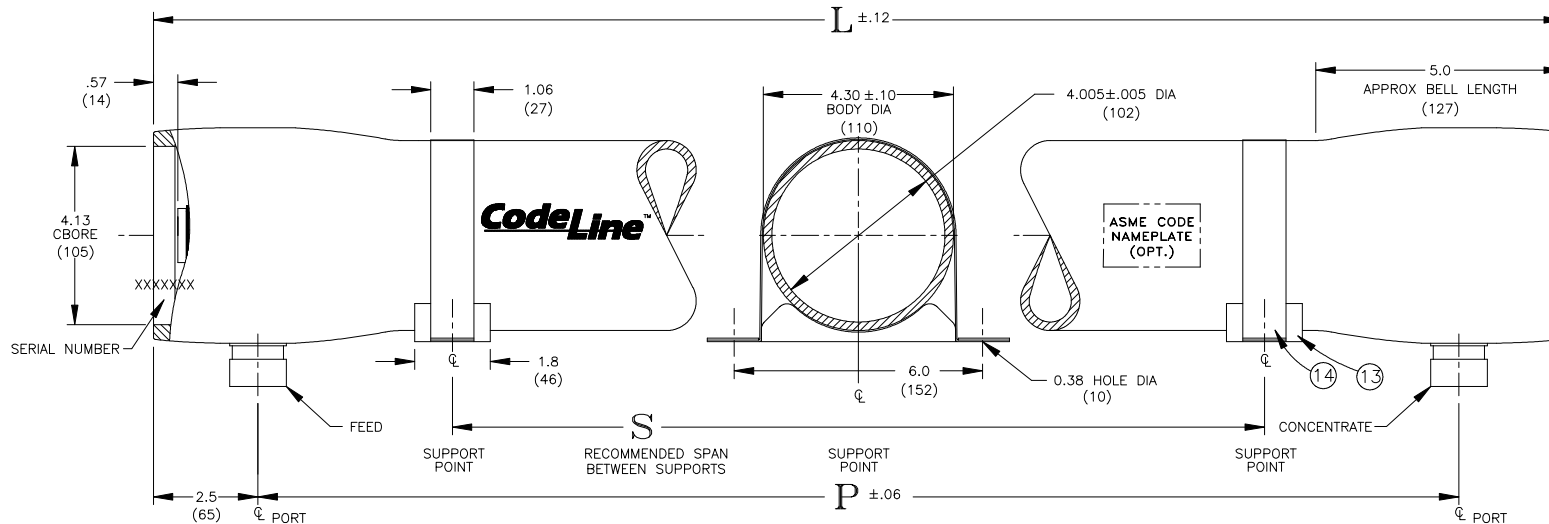
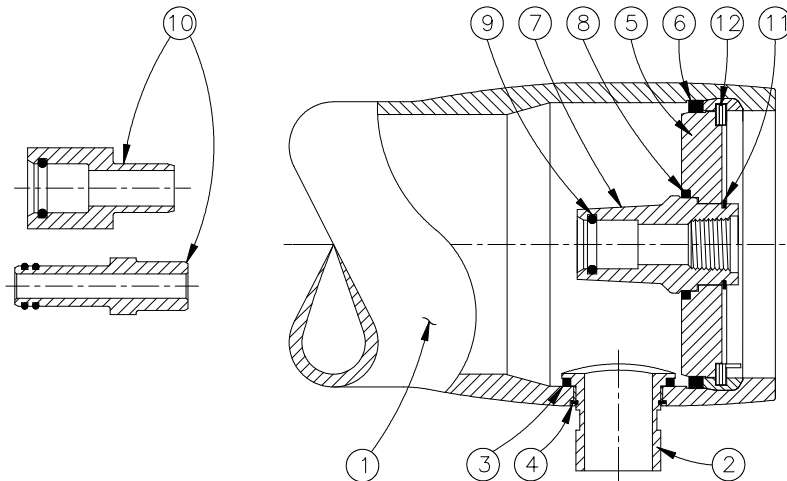


300
PSI



VIEW AT CENTER SUPPORT
CENTER VESSEL ON 2 OR 3 SUPPORTS
AT SPAN(S) "S": 3 SUPPORTS REQUIRED
FOR LENGTHS -4 AND OVER



SECTION THROUGH END CLOSURE
(ENDS ARE IDENTICAL)

- DIMENSIONS IN INCHES (MM APPROX)
- NOT TO BE USED FOR CONSTRUCTION UNLESS CERTIFIED
- * CAST GRADE AS PER ASME SA-351. ALTERNATIVE GRADE 316L AS PER SA-479.

Dwg. Ref.	Qty. Per	* Part Number	Part Name	Materials/Remarks
SHELL				
①	1		Shell	Filament wound epoxy/glass composite. S.S. head locking grooves integrally wound in place. Shell exterior coated with white high gloss polyurethane paint.
②	2		Feed/Concentrate Port	316 SST
③	2	ORDER	F/C Port Seal	Ethylene Propylene - Square Cut
④	2	SECTION	F/C Port Retainer	300 Series SST
HEAD				
⑤	2	45140/ 98061(optional)	Bearing Plate	Fibre reinforced epoxy laminate/ 316L SS as optional on ASME coded vessels
⑥	2	45352	Plate Seal	Ethylene Propylene - Square Cut
⑦	2	50898	Permeate Port	Engineering Thermoplastic
⑧	2	45335	Permeate Port Seal	Ethylene Propylene - Square Cut
⑨	4	45296	PWT/Adapter Seal	Ethylene Propylene - O-Ring
⑩	2	As Required	Adapter	Engineering Thermoplastic
⑪	2	45242	Port Retainer	300 Series SST
HEAD INTERLOCK				
⑫	2	45260	Retaining Ring	316L SST
VESSEL SUPPORT				
⑬	* 3	45058	Saddle	Cast Urethane Elastomer
⑭	* 3	47459	Strap	Type 304 SST - PVC cushion
* 2 Each furnished with length code 1, 2 & 3.				
FOR REFERENCE ONLY				

Shell Length Code	L L.O.A. IN (MM)	P Port to Port IN (MM)	S Span IN (MM)	APPROX. ASSEMBLY Weight LB (KG)
1	47 (1194)	42 (1067)	28 X 1 (711)	13.25 (6.0)
2	87 (2210)	82 (2083)	56 X 1 (1422)	19.25 (8.8)
3	127 (3226)	122 (3099)	80 X 1 (2032)	26.75 (12.2)
4	167 (4242)	162 (4115)	64 X 2 (1626)	34.25 (15.6)
5	207 (5258)	202 (5131)	78 X 2 (1981)	41.75 (19.0)
6	247 (6274)	242 (6147)	92 X 2 (2337)	49.25 (22.4)



MODEL 40A30
LOW PRESSURE MEMBRANE HOUSING

ECN	SHEET	SIZE	NUMBER	REV
1435	1 OF 2	A3	518001	R

RATING:

DESIGN PRESSURE..... 300 PSI at 176°F
(2.1 MPa at 80°C)

NOTE: FOR 316L SS BEARING PLATE300 PSI AT 190°F
(2.1 MPa at 88°C) * *

MIN. OPERATING TEMP..... 20°F
(-7°C)

FACTORY TEST PRESSURE..... 330 PSI
(2.275 MPa)

BURST PRESSURE..... 1800 PSI
(12.2 MPa)

INTENDED USE

The Model 40A30 Fiberglass R0/UF Pressure Vessel is designed for continuous, long-term use as a housing for reverse osmosis and ultrafiltration elements in typical industrial water treatment systems at pressures up to 300 psi. Any make of 4-inch nominal diameter spiral-wound element is easily accommodated. The appropriate interfacing hardware for the element specified is furnished with the vessel.

The Model 40A30 is designed in accordance with the engineering standards of the Boiler and Pressure Vessel Code of the American Society of Mechanical Engineers (ASME Code). At a small additional cost, vessels can be inspected during construction by an ASME Authorized Inspector and ASME Code stamped.

The Model 40A30 must be installed, operated and maintained in accordance with the precautions listed and good industrial practice to assure safe operation over a long service life.

The high performance reinforced plastic shell must be allowed to expand under pressure; undue restraint at support points or piping connections can cause leaks to develop in the shell. This side-ported vessel requires special precautions in mounting and connection to piping so that the vessel will not be subjected to excessive stress due to bending moments acting at the side openings in the fiberglass shell.

The end closures, incorporating close-fitting, interlocking components, must be kept dry and free of corrosion; deterioration can lead to catastrophic mechanical failure of the heads.

Pentair Water will assist the purchaser in determining the suitability of this standard vessel for their specific operating conditions. The final determination however, including evaluation of the standard materials of construction for compatibility with the specific corrosive environment, shall be the responsibility of the purchaser. Alternate materials with enhanced corrosion resistance are available on special order.

* * For Sanitary option also (Drg No:- 99129) the operating temperature can be 190° F (88°C)

Specifications subject to change without notice.

PRECAUTIONS

- DO... read, understand and follow all instructions; failure to take every precaution will void warranty and may result in vessel failure
- DO... mount shell on horizontal members at central span "S" using compliant vessel supports furnished; tighten hold down straps just snug.
- DO... align and center side ports with the manifold header; correct causes of misalignment in a row of vessels connected to the same header
- DO... use flexible type grooved-end pipe couplings, Victaulic® Style 75 or equal, at sideports; allow full .125 inch gap between port and piping, and position piping to maximize flexibility of connection
- DO... provide flexibility in, and support for piping manifold so that vessel can grow in length under pressure without undue restraint; provide additional flexible joints in large pipes leading to manifold header
- DO... provide overpressure protection for vessel set at not more than 105% of design pressure
- DO... inspect end closures regularly; replace components that have deteriorated and correct causes of corrosion
- DO NOT... work on any component until first verifying that pressure is relieved from vessel
- DO NOT... make rigid piping connections to ports or clamp vessel in any way that restricts growth of fiberglass shell under pressure; ▲ DIA = 0.01 in. (0.25 mm) and ▲ L = .140 in. (3.5 mm) for a length code -8 vessel
- DO NOT... hang piping manifolds from ports or use vessel in any way to support other components
- DO NOT... operate vessel at pressures and temperatures in excess of its rating
- DO NOT... operate vessel without Permeate Ports internally connected with a complete set of elements and interconnecting hardware
- DO NOT... tighten Permeate Port connection more than one turn past hand tight
- DO NOT... operate vessel with permeate pressure in excess of 125 psi at 190°F (0.9 MPa at 88°C)
- DO NOT... tolerate leaks or allow end closures to be routinely wetted in any way
- DO NOT... pressurize vessel until double checking to verify that the Retaining Rings are in place.
- DO NOT... install Spacer on downstream end of vessel

NOTE

Spiral Retaining Ring Removal Tool (1MM007-1) recommended to open and close vessel.

For complete information on proper use of this vessel please refer to the 40A Series USER'S GUIDE, Bulletin 518005

ORDERING

Using the chart below, please check the features you require and fax them with your purchase order to our customer service department for expedited processing. For optional materials and or feature not listed below, please consult the factory for pricing and availability.

VESSEL LENGTH CODE – please check one

MODEL 40A30 -1 -2 -3 -4 -5 -6

EXTERIOR FINISH – please check one

Standard – white high-gloss polyurethane coating over sanded surface.

CERTIFICATION – please check one

- Standard – certified by CodeLine, not code stamped.
- Option – Certified by ASME Authorized Inspector, Code stamped and registered with National Board. Call factory for pricing details.

MEMBRANE BRAND AND MODEL – please check one and fill in information

- Please supply adapters for the following membrane brand and specific model.
Brand _____ Model _____
- Membrane brand and model information is not currently available, but will be supplied to CodeLine on or before the following date. ____/____/____

PERMEATE PORT MATERIAL

Standard – NORYL
Option – PVC (120°F maximum)
Option – 316 Stainless Steel

PERMEATE PORT CONFIGURATION

Standard – 1/2" NPT Female (Standard per drawing)
Option – 1/2" BSP/JIS Female

FEED PORT CONFIGURATION

Standard – 1" IPS Victaulic, 316 Stainless Steel (Standard per drawing)
Optional – Multi-Ports™, increased port diameter or port clocking. please fill out your feed port configuration in the space below. List port location first followed by port size for each choice.

Serial number end	Opposite end
<input type="checkbox"/>	<input type="checkbox"/>
<input type="checkbox"/>	<input type="checkbox"/>
<input type="checkbox"/>	<input type="checkbox"/>
<input type="checkbox"/>	<input type="checkbox"/>
<input type="checkbox"/>	<input type="checkbox"/>
<input type="checkbox"/>	<input type="checkbox"/>

Serial number end	<input type="checkbox"/>
Opposite end	<input type="checkbox"/>

PORT SIZE CODE	
A	3/4" NPT FEMALE
B	3/4" BSP/JIS FEMALE
C	1" GROOVED END

