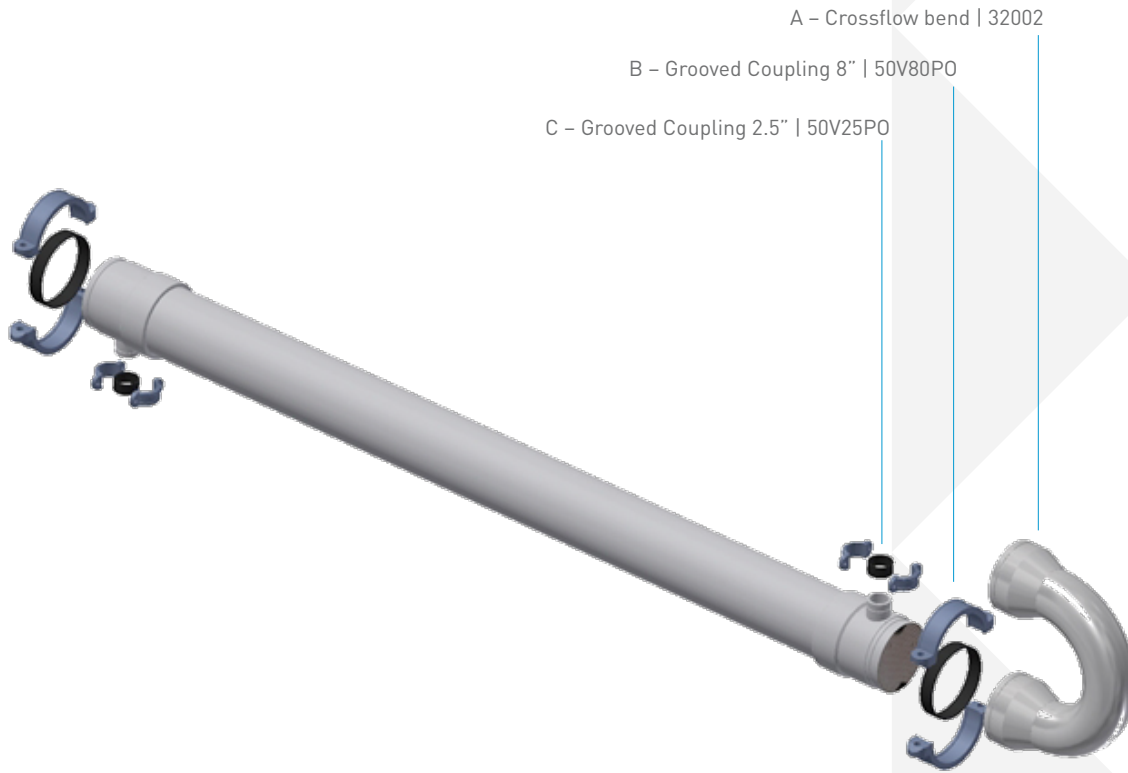


X-FLOW CROSSFLOW

CROSSFLOW MBR + CROSSFLOW UF

CONNECTION SPECIFICATIONS

STANDARD CONFIGURATION



THE FOLLOWING COMPONENTS CONNECT TO THE MODULE IN THE STANDARD CONFIGURATION:

ARTICLE NAME	ARTICLE CODE	REQUIRED QUANTITY PER MODULE
A Crossflow bend	32002	n-1
B Grooved coupling 2.5"	50V25PO	2
C Grooved coupling 8"	50V80PO	2

X-FLOW CROSSFLOW

CROSSFLOW MBR + CROSSFLOW UF

CONNECTION SPECIFICATIONS

COUPLINGS

The Crossflow bends are connected to the module with standard 8" grooved couplings with gasket, style 75 or equal.

The permeate ports are grooved and 2.5" in diameter, the module can be connected by using standard 2.5" grooved couplings with gasket, style 75 or equal.

OPERATING SPECIFICATIONS

MAX. SYSTEM PRESSURE	TEMPERATURE RANGE
kPa [psi]	°C [°F]
800 [116]	0-40 [32-104]

IMPORTANT NOTES

No important notes to date.



X-FLOW BV

P.O. BOX 739, 7500 AS ENSCHEDE, NETHERLANDS WWW.X-FLOW.COM

Note: The information and data contained in this document are based on our general experience and are believed to be correct. They are given in good faith and are intended to provide a guideline for the selection and use of our products. Since the conditions under which our products may be used are beyond our control, this information does not imply any guarantee of final product performance and we cannot accept any liability with respect to the use of our products. The quality of our products is guaranteed under our conditions of sale. Existing industrial property rights must be observed.
DS CROSSFLOW MBR + UF EN 5114 © 2014 Pentair. All Rights Reserved.

