

X-FLOW VERTICAL HIGH PRESSURE VERTICAL DEAD-END ULTRAFILTRATION

CONNECTION SPECIFICATIONS

STANDARD CONFIGURATION



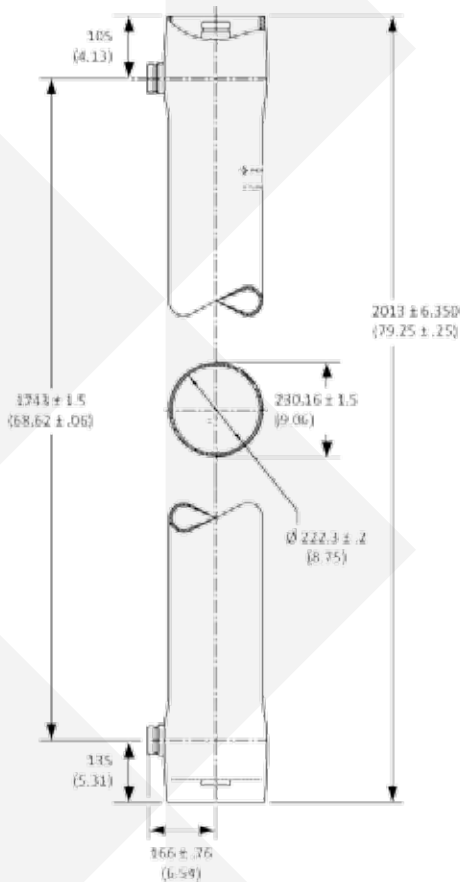
THE FOLLOWING COMPONENTS CONNECT TO THE MODULE IN THE STANDARD CONFIGURATION:

ARTICLE NAME	ARTICLE CODE	REQUIRED QUANTITY PER MEMBRANE HOUSING
A Membrane housing 1V	90051	1
B Grooved coupling 2.5"	50V25PO	3

X-FLOW VERTICAL HIGH PRESSURE VERTICAL DEAD-END ULTRAFILTRATION

CONNECTION SPECIFICATIONS

INSTALLATION DIMENSIONS



CERTIFICATIONS

The Vertical high pressure configuration has certifications in the following countries:

- USA: ANSI/NSF, Standard 61
- Germany: KTW and DVGW
- UK: DWI Regulation 31
- The Netherlands: KIWA-ATA

COUPLINGS

All the ports on the membrane housing are grooved and 2.5" in diameter, the housing can be connected by using standard 2.5" grooved couplings with gasket, style 75 or equal.

OPERATING SPECIFICATIONS

MAX. SYSTEM PRESSURE	TEMPERATURE RANGE
kPa [psi]	°C [°F]
800 (116)	0-40 [32-104]

IMPORTANT NOTES

No important notes to date.



X-FLOW BV

P.O. BOX 739, 7500 AS ENSCHEDE, NETHERLANDS WWW.X-FLOW.COM

Note: The information and data contained in this document are based on our general experience and are believed to be correct. They are given in good faith and are intended to provide a guideline for the selection and use of our products. Since the conditions under which our products may be used are beyond our control, this information does not imply any guarantee of final product performance and we cannot accept any liability with respect to the use of our products. The quality of our products is guaranteed under our conditions of sale. Existing industrial property rights must be observed.
DS VERTICAL HIGH PRESSURE EN 5114 © 2014 Pentair. All Rights Reserved.

