

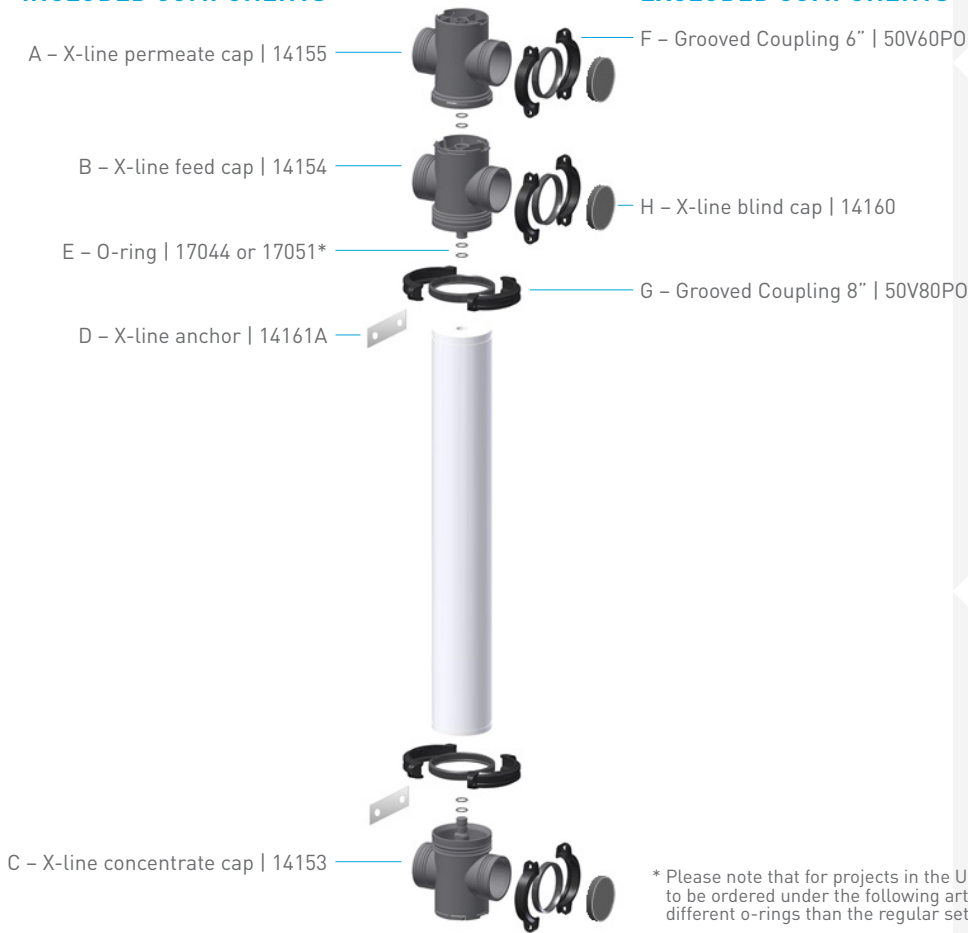
# X-FLOW X-LINE RACK VERTICAL DEAD-END ULTRAFILTRATION

## CONNECTION SPECIFICATIONS

### STANDARD CONFIGURATION

#### INCLUDED COMPONENTS

#### EXCLUDED COMPONENTS



\* Please note that for projects in the USA or France, the End cap connection set needs to be ordered under the following article code: XLINEA . This connection set includes different o-rings than the regular set.

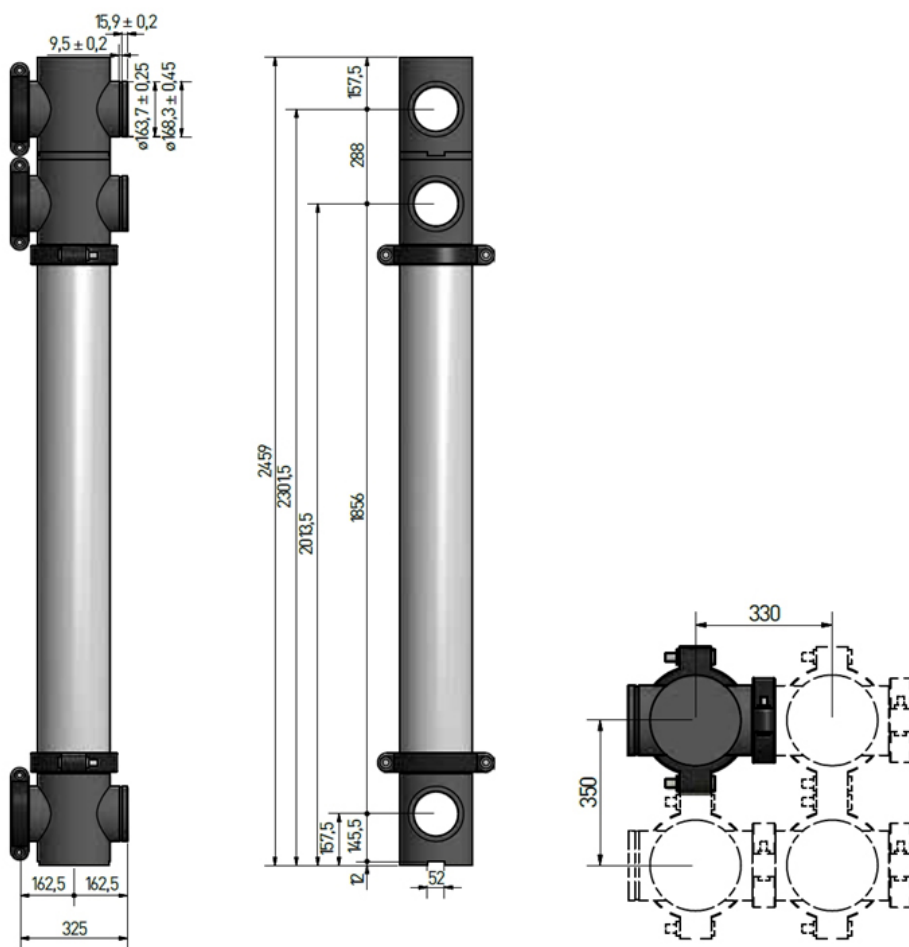
ARTICLE NAME	X-line	Connection set	
ARTICLE CODE	XLINE	XLINEA	
<i>INCLUDES THE FOLLOWING COMPONENTS:</i>			
ARTICLE NAME	ARTICLE CODE		REQUIRED QUANTITY PER MODULE
A X-line permeate cap	14155	14155	1
B X-line feed cap	14154	14154	1
C X-line concentrate cap	14153	14153	1
D X-line anchor	14161A	14161A	2
E O-ring	17044	17051	6

# X-FLOW X-LINE RACK

## VERTICAL DEAD-END ULTRAFILTRATION

### CONNECTION SPECIFICATIONS

### INSTALLATION DIMENSIONS



### CERTIFICATIONS

The X-line rack has certifications in the following countries:

- USA: ANSI/NSF, Standard 61
- UK: DWI Regulation 31
- France: ACS
- Germany: KTW and DVGW
- The Netherlands: KIWA-ATA

# X-FLOW X-LINE RACK

## VERTICAL DEAD-END ULTRAFILTRATION

### CONNECTION SPECIFICATIONS

#### COUPLINGS

Both the feed cap and concentrate cap are connected to the module with standard 8" grooved couplings with gasket, style 75 or equal.

The permeate cap, feed cap and concentrate cap are interconnected with standard 6" grooved couplings with gasket, style 75 or equal.

	ARTICLE NAME	ARTICLE CODE	REQUIRED QUANTITY PER MODULE
F	Grooved Coupling 6"	50V60PO	3
G	Grooved Coupling 8"	50V80PO	2

The supply of grooved couplings by X-Flow is optional, the couplings are NOT included in the X-line | connection set.

#### OPERATING SPECIFICATIONS

MAX. SYSTEM PRESSURE	TEMPERATURE RANGE
kPa [psi]	°C [°F]
300 [43]	0-40 [32-104]

#### IMPORTANT NOTES

In case of any X-line project, the complete scope of supply can be defined by the use of the X-line configuration tool. This will also include the total required quantity of X-line blind caps (art. code 14160), as well as optional components such as the couplings and a frame.

	ARTICLE NAME	ARTICLE CODE	REQUIRED QUANTITY PER RACK
F	X-line blind cap	14160	Configuration dependent

For more information about the X-line rack in general, please have a look at the datasheet of X-line rack.

Please contact your X-Flow sales person to determine your configuration or in case you need additional information about the X-line rack.



#### X-FLOW BV

P.O. BOX 739, 7500 AS ENSCHEDE, NETHERLANDS WWW.X-FLOW.COM

Note: The information and data contained in this document are based on our general experience and are believed to be correct. They are given in good faith and are intended to provide a guideline for the selection and use of our products. Since the conditions under which our products may be used are beyond our control, this information does not imply any guarantee of final product performance and we cannot accept any liability with respect to the use of our products. The quality of our products is guaranteed under our conditions of sale. Existing industrial property rights must be observed.  
DS X-LINE CONNECTION EN 0815 © 2014 Pentair. All Rights Reserved.

